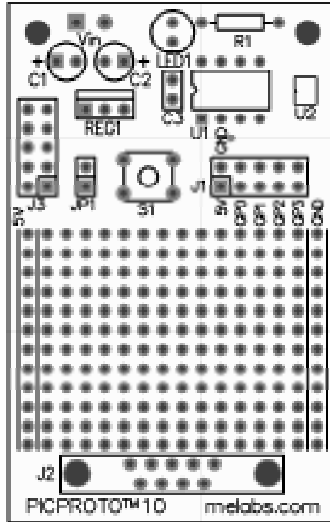


# PICPROTO™10 Prototyping Board

Copyright ©2006 microEngineering Labs, Inc.

## \$9<sup>95</sup>

- ❖ High quality double-sided board
- ❖ Solder mask both sides
- ❖ 4 mounting holes
- ❖ Overall dimensions 1.7" X 2.7"



- U1, U2 - PIC10F200, 202, 204, 206, 220 or 222
- C1 - input capacitor
- C2 - regulator capacitor
- C3 - bypass capacitor
- REG1 - 5 volt regulator
- LED1 - LED
- R1 - LED series resistor
- S1 - 4.5mm x 6.5mm push button
- JP1 - 2-pin jumper
- J1 - I/O connector
- J2 - DB9 connector
- J3 - melabs ICP connector

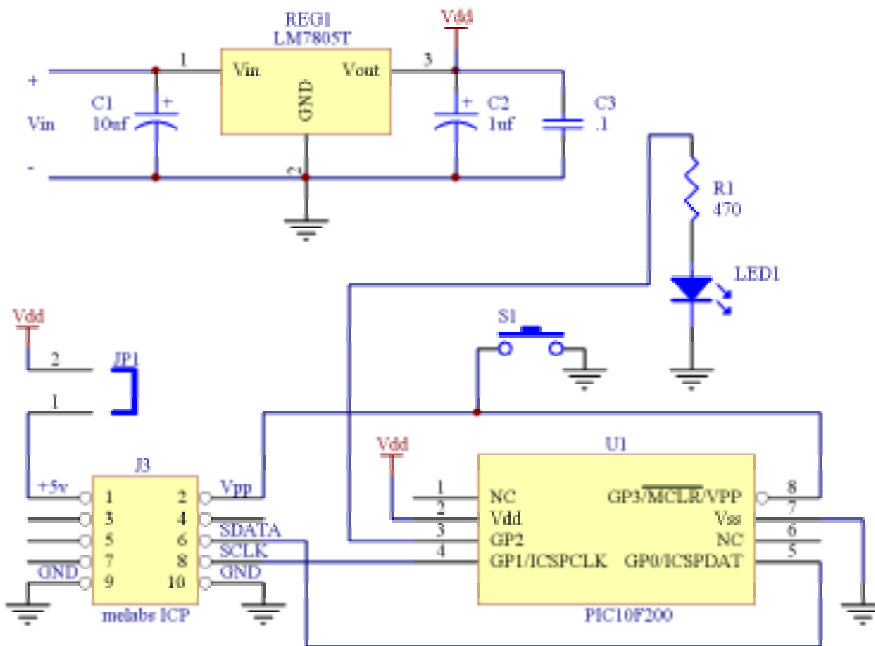
### SUGGESTED PARTS:

- C1 - 10uf radial electrolytic capacitor
- C2 - 1uf radial electrolytic capacitor
- C3 - .1uf monolythic capacitor
- REG1 - 7805T 5 volt regulator
- LED1 - T1 3/4 LED
- R1 - 470 ohm resistor

### ASSEMBLY NOTES:

- Pin 1 of U1 and U2 is marked with a square pad.
- Note polarity of Vin, REG1, LED1 and any polarized capacitors.
- Internal pullups should be enabled for S1.

### SCHEMATIC:



### SOURCES:

**PIC® MCU documentation is available from:**

Microchip Technology Inc.  
2355 West Chandler Blvd.  
Chandler AZ 85224-6199  
(480) 792-7200  
(480) 792-7277 fax

*microEngineering Labs, Inc.*

Box 60039 Colorado Springs CO 80960  
(719) 520-5323 (719) 520-1867 fax

<http://www.melabs.com>  
email: [support@melabs.com](mailto:support@melabs.com)