

ISD4003 Series

Single-Chip Voice Record/Playback Devices

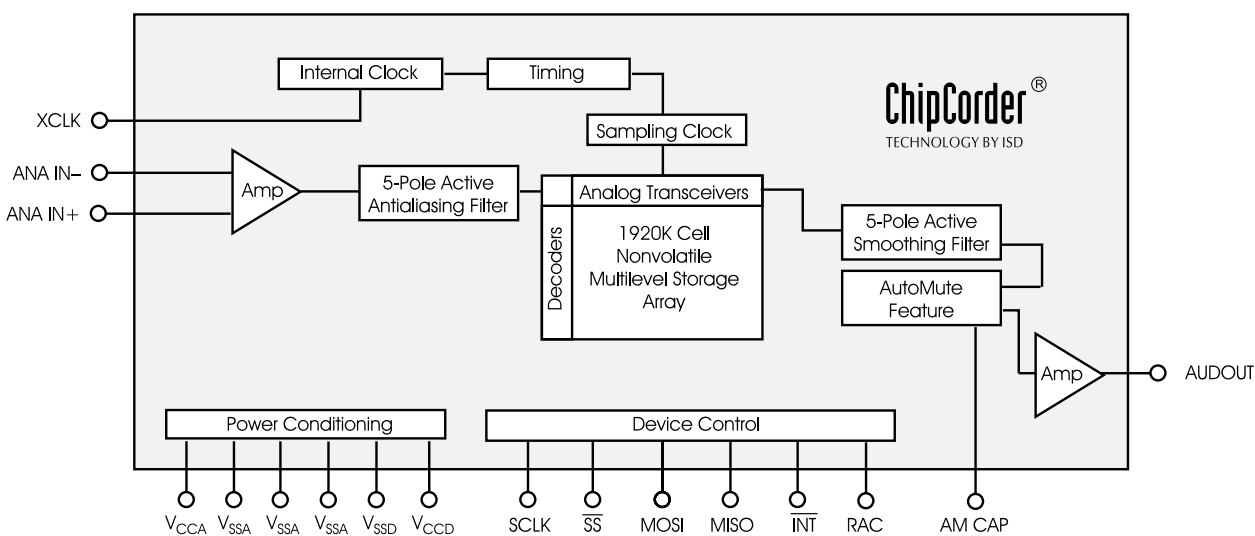
4-, 5-, 6-, and 8-Minute Durations

GENERAL DESCRIPTION

The ISD4003 ChipCorder® Products provide high-quality, 3-volt, single-chip Record/Playback solutions for 4- to 8-minute messaging applications which are ideal for cellular phones and other portable products. The CMOS-based devices include an on-chip oscillator, antialiasing filter, smoothing filter, AutoMute™ feature, audio amplifier, and high density, multilevel Flash storage array. The ISD4003 series is designed to be used in a microprocessor- or microcontroller-based system. Address and control are accomplished through a Serial Peripheral Interface (SPI) or Microwire Serial Interface to minimize pin count.

Recordings are stored in on-chip nonvolatile memory cells, providing zero-power message storage. This unique, single-chip solution is made possible through ISD's patented multilevel storage technology. Voice and audio signals are stored directly into memory in their natural form, providing high-quality, solid-state voice reproduction.

Figure: ISD4003 Series Block Diagram



FEATURES

- Single-chip voice Record/Playback solution
- Single +3 volt supply
- Low-power consumption
 - Operating current:
 - I_{CC} Play = 15 mA (typical)
 - I_{CC} Rec = 25 mA (typical)
 - Standby current: 1 μ A (typical)
- Single-chip durations of 4, 5, 6, and 8 minutes
- High-quality, natural voice/audio reproduction
- AutoMute feature provides background noise attenuation during periods of silence
- No algorithm development required
- Microcontroller SPI or Microwire™ Serial Interface
- Fully addressable to handle multiple messages
- Nonvolatile message storage
- Power consumption controlled by SPI or Microwire control register
- 100-year message retention (typical)
- 100K record cycles (typical)
- On-chip clock source
- Available in die form, PDIP, SOIC, TSOP, and chip scale packaging (CSP)
- Extended temperature (–20°C to + 70°C) and industrial temperature (–40°C to +85°C) versions available

Table: ISD4003 Series Summary

Part Number	Duration (minutes)	Input Sample Rate (KHz)	Typical Filter Pass Band (KHz)
ISD4003-04M	4.0	8.0	3.4
ISD4003-05M	5.0	6.4	2.7
ISD4003-06M	6.0	5.3	2.3
ISD4003-08M	8.0	4.0	1.7

Table of Contents

ISD4003 Series

Single-Chip Voice Record/Playback Devices
4-, 5-, 6-, and 8-Minute Durations

DETAILED DESCRIPTION	1
Speech/Sound Quality	1
Duration	1
Flash Storage	1
Microcontroller Interface	1
Programming	2
PIN DESCRIPTIONS	2
Voltage Inputs (V_{CCA} , V_{CCD})	2
Ground Inputs (V_{SSA} , V_{SSD})	2
Non-Inverting Analog Input (ANA IN+)	2
Inverting Analog Input (ANA IN-)	3
Audio Output (AUD OUT)	3
Slave Select (\overline{SS})	3
Master Out Slave In (MOSI)	4
Master In Slave Out (MISO)	4
Serial Clock (SCLK)	4
Interrupt (\overline{INT})	4
Row Address Clock (RAC)	4
External Clock Input (XCLK)	4
AutoMute™ Feature (AM CAP)	5
SERIAL PERIPHERAL INTERFACE (SPI) DESCRIPTION	5
Message Cueing	6
Power-Up Sequence	6
SPI Port	7
SPI Control Register	7
TIMING DIAGRAMS	14
DEVICE PHYSICAL DIMENSIONS	19
ORDERING INFORMATION	25

FIGURES, CHARTS, AND TABLES IN THE ISD4003 SERIES DATA SHEET

Figure 1:	ISD4003 Series TSOP and PDIP/SOIC Pinouts	1
Figure 2:	ISD4003 CSP Pinout	2
Figure 3:	ISD4003 Series ANA IN Modes	3
Figure 4:	SPI Port	7
Figure 5:	SPI Interface Simplified Block Diagram	8
Figure 6:	Timing Diagram	14
Figure 7:	8-Bit Command Format	14
Figure 8:	16-Bit Command Format	15
Figure 9:	Playback/Record and Stop Cycle	15
Figure 10:	Application Example Using SPI	16
Figure 11:	Application Example Using Microwire	17
Figure 12:	Application Example Using SPI Port on Microcontroller	17
Figure 13:	Application Example Using SPI with a Chip Scale Packaged Device	18
Figure 14:	28-Lead 8x1 3.4 mm Plastic Thin Small Outline Package (TSOP) Type I (E)	19
Figure 15:	28-Lead 0.600-Inch Plastic Dual Inline Package (PDIP) (P)	20
Figure 16:	28-Lead 0.300-Inch Plastic Small Outline Integrated Circuit (SOIC) (S)	21
Figure 17:	ISD4003 Series Bonding Physical Layout (Unpackaged Die)	22
Figure 18:	ISD4003 Chip Scale Package (CSP) (Z)	24
Table 1:	External Clock Input Clocking Table	5
Table 2:	Opcode Summary	6
Table 3:	SPI Control Register	7
Table 4:	Absolute Maximum Ratings (Packaged Parts)	8
Table 5:	Operating Conditions (Packaged Parts)	8
Table 6:	DC Parameters (Packaged Parts)	9
Table 7:	AC Parameters (Packaged Parts)	9
Table 8:	Absolute Maximum Ratings (Die)	11
Table 9:	Operating Conditions (Die)	11
Table 10:	DC Parameters (Die)	11
Table 11:	AC Parameters (Die)	12
Table 12:	SPI AC Parameters ¹	13
Table 13:	Plastic Thin Small Outline Package (TSOP) Type I (E) Dimensions	19
Table 14:	Plastic Dual Inline Package (PDIP) (P) Dimensions	20
Table 15:	Plastic Small Outline Integrated Circuit (SOIC) (S) Dimensions	21
Table 16:	ISD4003 Series Device Pin/Pad Designations	23
Table 17:	CSP Dimensions	24

DETAILED DESCRIPTION

SPEECH/SOUND QUALITY

The ISD4003 ChipCorder series includes devices offered at 4.0, 5.3, 6.4, and 8.0 KHz sampling frequencies, allowing the user a choice of speech quality options. Increasing the duration within a product series decreases the sampling frequency and bandwidth, which affects sound quality. Please refer to the ISD4003 Series Product Summary table on the front page to compare filter pass band and product durations.

The speech samples are stored directly into on-chip nonvolatile memory without the digitization and compression associated with other solutions. Direct analog storage provides a natural sounding reproduction of voice, music, tones, and sound effects not available with most solid-state solutions.

DURATION

To meet end system requirements, the ISD4003 series products are single-chip solutions at 4, 5, 6, and 8 minutes.

FLASH STORAGE

One of the benefits of ISD's ChipCorder technology is the use of on-chip nonvolatile memory, which provides zero-power message storage. The message is retained for up to 100 years (typically) without power. In addition, the device can be re-recorded (typically) over 100,000 times.

MICROCONTROLLER INTERFACE

A four-wire (SCLK, MOSI, MISO, \overline{SS}) SPI interface is provided for ISD4003 control and addressing functions. The ISD4003 is configured to operate as a peripheral slave device, with a microcontroller-based SPI bus interface. Read/Write access to all the internal registers occurs through this SPI interface. An interrupt signal (\overline{INT}) and internal read-only Status Register are provided for handshake purposes.

Figure 1: ISD4003 Series TSOP and PDIP/SOIC Pinouts

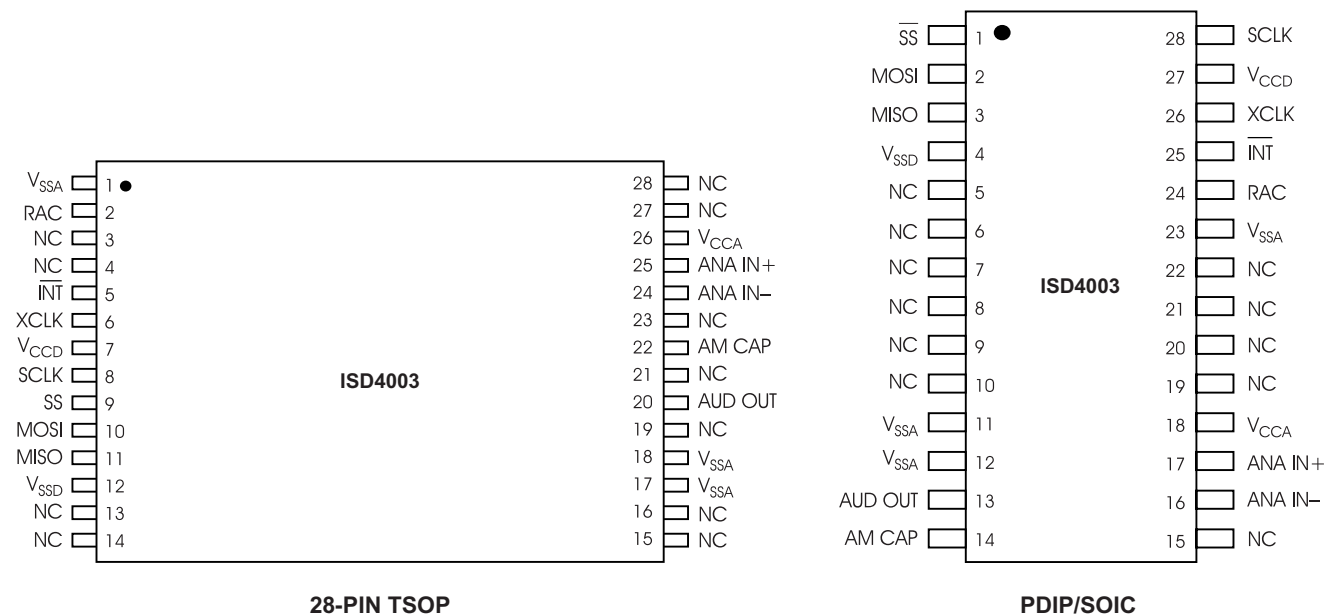
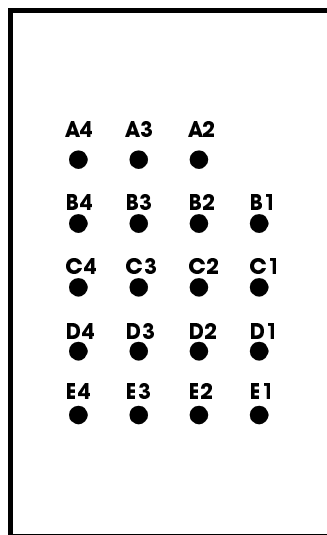


Figure 2: ISD4003 CSP Pinout



Bottom View

Name	Ball Location	TSOP Pin #
V _{SSA}	A2	18
AMCAP	A3	22
ANA IN+	A4	25
V _{SSA}	B1	17
AUDOUT	B2	20
ANA IN-	B3	24
V _{CCA}	B4	26
V _{SSD1}	C1	12
V _{SSD2}	C2	N/A
V _{CCD2}	C3	N/A

Name	Ball Location	TSOP Pin #
V _{SSA}	C4	1
MOSI	D1	10
SCLK	D2	8
XCLK	D3	6
RAC	D4	2
MISO	E1	11
SS	E2	9
V _{CCD1}	E3	7
INT	E4	5

PROGRAMMING

The ISD4003 series is also ideal for playback-only applications, where single or multiple message Playback is controlled through the SPI port. Once the desired message configuration is created, duplicates can easily be generated via an ISD programmer.

PIN DESCRIPTIONS

VOLTAGE INPUTS (V_{CCA}, V_{CCD})

To minimize noise, the analog and digital circuits in the ISD4003 devices use separate power busses. These +3 V busses are brought out to separate pins and should be tied together as close to the supply as possible. In addition, these supplies should be decoupled as close to the package as possible.

GROUND INPUTS (V_{SSA}, V_{SSD})

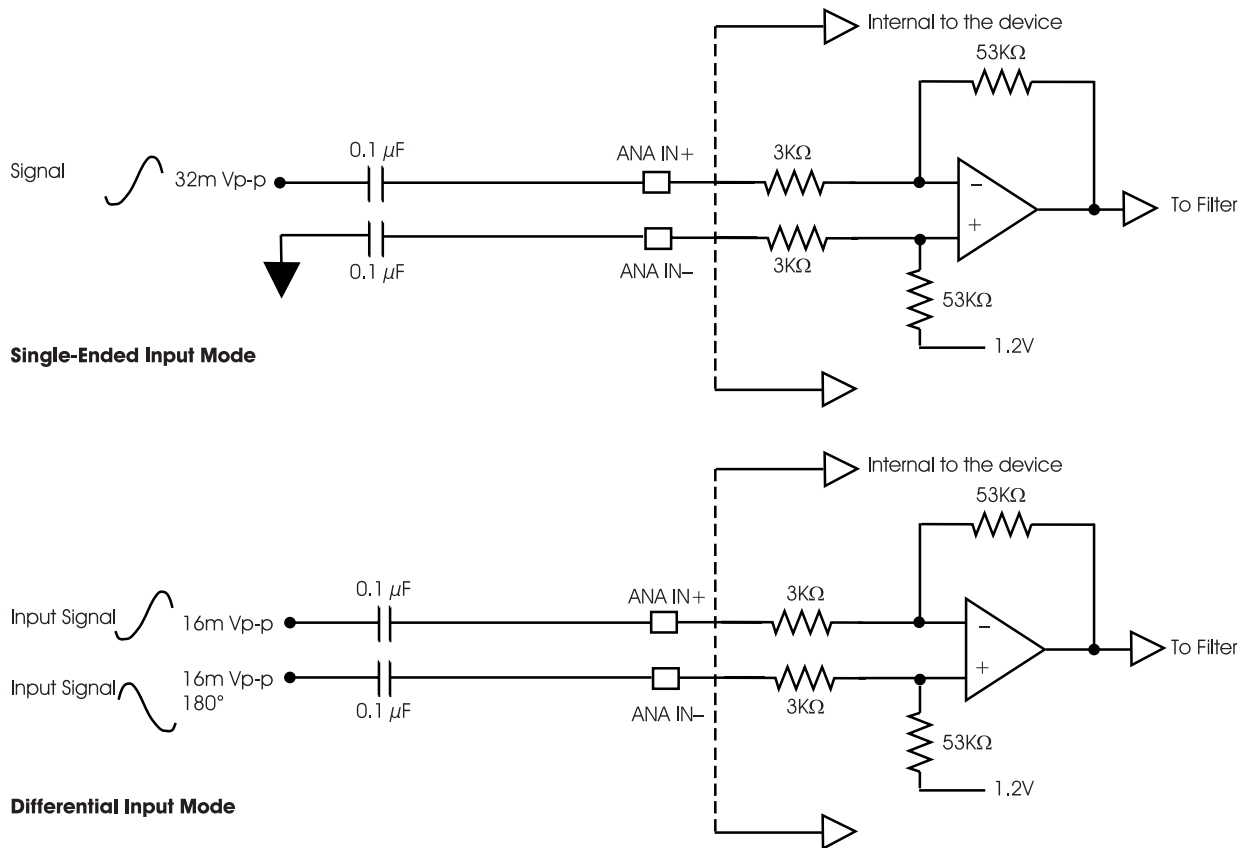
The ISD4003 series utilizes separate analog and digital ground busses. The analog ground (V_{SSA}) pins should be tied together as close to the package as possible and connected through a low-impedance path to power supply ground. The

digital ground (V_{SSD}) pin should be connected through a separate low-impedance path to power supply ground. These ground paths should be large enough to ensure that the impedance between the V_{SSA} pins and the V_{SSD} pin is less than 3 Ω. The backside of the die is connected to V_{SS} through the substrate resistance. In a chip-on-board design, the die attach area must be connected to V_{SS} or left floating.

NON-INVERTING ANALOG INPUT (ANA IN+)

This pin is the non-inverting analog input that transfers the signal to the device for recording. The analog input amplifier can be driven single ended or differentially. In the single-ended input mode, a 32 mVp-p (peak-to-peak) maximum signal should be capacitively connected to this pin for optimal signal quality. This capacitor value, together with the 3 KΩ input impedance of ANA IN+, is selected to give cutoff at the low frequency end of the voice passband. In the differential-input mode, the maximum input signal at ANA IN+ should be 16 mVp-p for optimal signal quality. The circuit connections for the two modes are shown in Figure 3 on page 3.

Figure 3: ISD4003 Series ANA IN Modes



INVERTING ANALOG INPUT (ANA IN-)

This pin is the inverting analog input that transfers the signal to the device for recording in the differential-input mode. In this differential-input mode, a 16 mVp-p maximum input signal at ANA IN- should be capacitively coupled to this pin for optimal signal quality as shown in the ISD4003 Series ANA IN Modes, Figure 3. This capacitor value should be equal to the coupling capacitor used on the ANA IN+ pin. The input impedance at ANA IN- is nominally 56 kΩ. In the single-ended mode, ANA IN- should be capacitively coupled to V_{SSA} through a capacitor equal to that used on the ANA IN+ input.

AUDIO OUTPUT (AUD OUT)

This pin provides the audio output to the user. It is capable of driving a 5 kΩ impedance. It is recommended that this pin be AC coupled.

NOTE The AUDOUT pin is always at 1.2 volts when the device is powered up. When in playback, the output buffer connected to this pin can drive a load as small as 5 kΩ. When in record, a resistor connects AUDOUT to the internal 1.2 volt analog ground supply. This resistor is approximately 850 kΩ, but will vary somewhat according to the sample rate of the device. This relatively high impedance allows this pin to be connected to an audio bus without loading it down.

SLAVE SELECT (\overline{SS})

This input, when LOW, will select the ISD4003 device.

MASTER OUT SLAVE IN (MOSI)

This is the serial input to the ISD4003 device. The master microcontroller places data on the MOSI line one half-cycle before the rising clock edge to be clocked in by the ISD4003 device.

MASTER IN SLAVE OUT (MISO)

This is the serial output of the ISD4003 device. This output goes into a high-impedance state if the device is not selected.

SERIAL CLOCK (SCLK)

This is the clock input to the ISD4003. It is generated by the master device (microcontroller) and is used to synchronize data transfers in and out of the device through the MISO and MOSI lines. Data is latched into the ISD4003 on the rising edge of SCLK and shifted out of the device on the falling edge of SCLK.

INTERRUPT (INT)

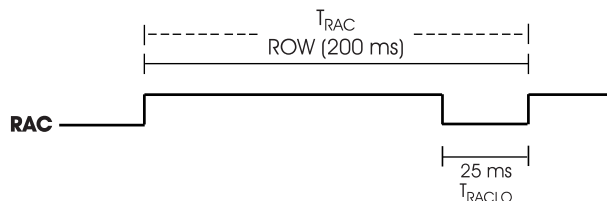
The ISD4003 interrupt pin goes LOW and stays LOW when an Overflow (OVF) or End of Message (EOM) marker is detected. This is an open drain output pin. Each operation that ends in an EOM or Overflow will generate an interrupt including the message cueing cycles. The interrupt will be cleared the next time an SPI cycle is initiated. The interrupt status can be read by an RINT instruction.

Overflow Flag (OVF)—The Overflow flag indicates that the end of the ISD4003's analog memory has been reached during a record or playback operation.

End of Message (EOM)—The End-of-Message flag is set only during playback operation when an EOM is found. There are eight EOM flag position options per row.

ROW ADDRESS CLOCK (RAC)

This is an open drain output pin that provides a signal with a 200 ms period at the 8 KHz sampling frequency. (This represents a single row of memory and there are 1200 rows of memory in the ISD4003 series devices.) This signal stays HIGH for 175 ms and stays LOW for 25 ms when it reaches the end of a row.



The RAC pin stays HIGH for 218.75 μ sec and stays LOW for 31.25 μ sec in Message Cueing mode (see page 6 for a more detailed description of Message Cueing). Refer to the AC Parameters table for RAC timing information on other sample rate products.

When a record command is first initiated, the RAC pin remains HIGH for an extra T_{RACLO} period. This is due to the need to load sample and hold circuits internal to the device. This pin can be used for message management techniques.

EXTERNAL CLOCK INPUT (XCLK)

The external clock input for the ISD4003 products has an internal pull-down device. These products are configured at the factory with an internal sampling clock frequency centered to ± 1 percent of specification. The frequency is then maintained to a variation of ± 2.25 percent over the entire commercial temperature and operating voltage ranges. The internal clock has a $-6/+4$ percent tolerance, over the extended temperature, industrial temperature and voltage ranges. A regulated power supply is recommended for industrial temperature range parts. If greater precision is required, the device can be clocked through the XCLK pin in Table 1.

Table 1: External Clock Input Clocking Table

Part Number	Sample Rate	Required Clock
ISD4003-04M	8.0 KHz	1024 KHz
ISD4003-05M	6.4 KHz	819.2 KHz
ISD4003-06M	5.3 KHz	682.7 KHz
ISD4003-08M	4.0 KHz	512 KHz

These recommended clock rates should not be varied because the antialiasing and smoothing filters are fixed. Thus, aliasing problems can occur if the sample rate differs from the one recommended. The duty cycle on the input clock is not critical, as the clock is immediately divided by two internally. ***If the XCLK is not used, this input should be connected to ground.***

AUTOMUTE™ FEATURE (AM CAP)

This pin is used in controlling the AutoMute feature. The AutoMute feature attenuates the signal when it drops below an internally set threshold. This helps to eliminate noise (with 6 dB of attenuation) when there is no signal (i.e., during periods of silence). A 1 μ F capacitor to ground should be connected to the AMCAP pin. This capacitor becomes a part of an internal peak detector which senses the signal amplitude (peak). This peak level is compared to an internally set threshold to determine the AutoMute trip point. For large signals the AutoMute attenuation is set to 0 dB while 6 dB of attenuation occurs for silence. The 1 μ F capacitor also affects the rate at which the AutoMute feature changes with the signal amplitude (or the attack time). The Automute feature can be disabled by connecting the AMCAP pin to V_{CCA} .

SERIAL PERIPHERAL INTERFACE (SPI) DESCRIPTION

The ISD4003 series operates from an SPI serial interface. The SPI interface operates with the following protocol.

The data transfer protocol assumes that the microcontroller's SPI shift registers are clocked on the falling edge of the SCLK. With the ISD4003, data is clocked in on the MOSI pin on the rising clock edge. Data is clocked out on the MISO pin on the falling clock edge.

1. All serial data transfers begin with the falling edge of \overline{SS} pin.
2. \overline{SS} is held LOW during all serial communications and held HIGH between instructions.
3. Data is clocked in on the rising clock edge and data is clocked out on the falling clock edge.
4. Play and Record operations are initiated by enabling the device by asserting the \overline{SS} pin LOW, shifting in an opcode and an address field to the ISD4003 device (refer to the Opcode Summary on the following page).
5. The opcodes and address fields are as follows: <5 control bits> and <11 address bits>.
6. Each operation that ends in an EOM or Overflow will generate an interrupt, including the Message Cueing cycles. The Interrupt will be cleared the next time an SPI cycle is initiated.
7. As Interrupt data is shifted out of the ISD4003 MISO pin, control and address data is simultaneously being shifted into the MOSI pin. Care should be taken such that the data shifted in is compatible with current system operation. It is possible to read interrupt data and start a new operation within the same SPI cycle.
8. An operation begins with the RUN bit set and ends with the RUN bit reset.
9. All operations begin with the rising edge of \overline{SS} .

MESSAGE CUEING

Message cueing allows the user to skip through messages, without knowing the actual physical location of the message. This operation is used during playback. In this mode, the messages are

skipped 1600 times faster than in normal playback mode. It will stop when an EOM (end of message) marker is reached. Then, the internal address counter will point to the next message.

Table 2: Opcode Summary

Instruction	Opcode <5 bits> Address <11 bits>	Operational Summary
POWERUP	00100 <XXXXXXXXXXXX>	Power-Up; Device will be ready for an operation after T_{PUD} .
SETPLAY	11100 <A10-A0>	Initiates Playback from address <A10-A0>.
PLAY	11110 <XXXXXXXXXXXX>	Playback from the current address (until EOM or OVF).
SETREC	10100 <A10-A0>	Initiates a Record operation from address <A10-A0>.
REC	10110 <XXXXXXXXXXXX>	Records from current address until OVF is reached.
SETMC	11101 <A10-A0>	Initiates Message Cueing (MC) from address <A10-A0>.
MC ¹	11111 <XXXXXXXXXXXX>	Performs a Message Cue. Proceeds to the end of the current message (EOM) or enters OVF condition if no more messages are present.
STOP	0X110 <XXXXXXXXXXXX>	Stops current operation.
STOPPWRDN	0X01X <XXXXXXXXXXXX>	Stops current Operation and enters stand-by (power-down) mode.
RINT ²	0X110 <XXXXXXXXXXXX>	Read Interrupt status bits: Overflow and EOM.

1. Message Cueing can be selected only at the beginning of a play operation.

2. As the Interrupt data is shifted out of the ISD4003, control and address data is being shifted in. Care should be taken such that the data shifted in is compatible with current system operation. It is possible to read interrupt data and start a new operation at the same time. See Figure 6 through Figure 9 for Opcode format.

POWER-UP SEQUENCE

The ISD4003 will be ready for an operation after T_{PUD} (25 ms approximately for 8 KHz sample rate). The user needs to wait T_{PUD} before issuing an operational command. For example, to play from address 00 the following programming cycle should be used.

Playback Mode

1. Send POWERUP command.
2. Wait T_{PUD} (power-up delay).
3. Send SETPLAY command with address 00.
4. Send PLAY command.

The device will start playback at address 00 and it will generate an interrupt when an EOM is reached. It will then stop playback.

Record Mode

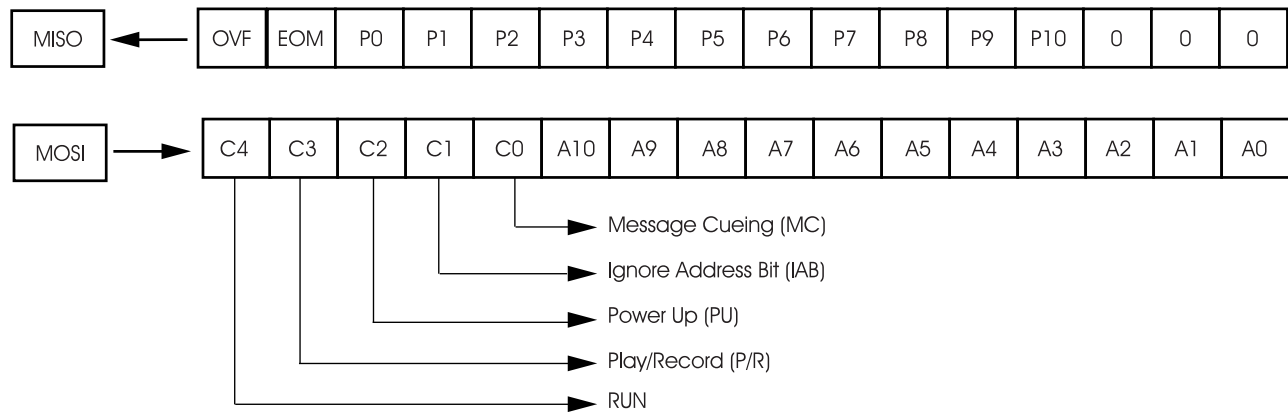
1. Send POWERUP command.
2. Wait T_{PUD} (power-up delay).
3. Send POWERUP command.
4. Wait $2 \times T_{PUD}$ (power-up delay).
5. Send SETREC command with address 00.
6. Send REC command.

The device will start recording at address 00 and it will generate an interrupt when an overflow is reached (end of memory array). It will then stop recording.

SPI PORT

The following diagram describes the SPI port and the control bits associated with it.

Figure 4: SPI Port



SPI CONTROL REGISTER

The SPI control register provides control of individual device functions such as Play, Record, Message Cueing, Power-Up and Power-Down, Start and Stop operations, and Ignore Address pointers.

Table 3: SPI Control Register

Control Register	Bit	Device Function	Control Register	Bit	Device Function
RUN		Enable or Disable an operation	PU		Master power control
= 1		Start	= 1		Power-Up
= 0		Stop	= 0		Power-Down
P/R		Selects Play or Record operation	IAB ⁽¹⁾		Ignore address control bit
= 1		Play	= 1		Ignore input address register (A10–A0)
= 0		Record	= 0		Use the input address register contents for an operation (A10–A0)
MC		Enable or Disable Message Cueing	P10–P0		Output of the row pointer register
= 1		Enable Message Cueing	A10–A0		Input address register
= 0		Disable Message Cueing			

1. When IAB (Ignore Address Bit) is set to 0, a playback or record operation starts from address (A9–A0). For consecutive playback or record, IAB should be changed to a 1 before the end of that row (see RAC timing). Otherwise the ISD4003 will repeat the operation from the same row address. For memory management, the Row Address Clock (RAC) pin and IAB can be used to move around the memory segments.

Figure 5: SPI Interface Simplified Block Diagram

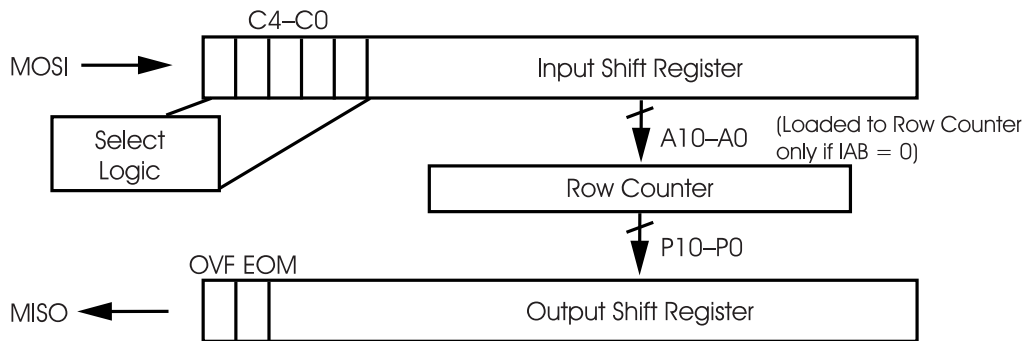


Table 4: Absolute Maximum Ratings (Packaged Parts)⁽¹⁾

Condition	Value
Junction temperature	150°C
Storage temperature range	-65°C to +150°C
Voltage applied to any pin	(V _{SS} - 0.3 V) to (V _{CC} + 0.3 V)
Voltage applied to any pin (Input current limited to ±20 mA)	(V _{SS} - 1.0 V) to (V _{CC} + 1.0 V)
Voltage applied to MOSI, SCLK, INT, RAC and SS pins (Input current limited to ±20 mA)	(V _{SS} - 1.0 V) to 5.5V
Lead temperature (soldering - 10 seconds)	300°C
V _{CC} - V _{SS}	-0.3 V to +7.0 V

Table 5: Operating Conditions (Packaged Parts)

Condition	Value
Commercial operating temperature range ⁽¹⁾	0°C to +70°C
Extended operating temperature ⁽¹⁾	-20°C to +70°C
Industrial operating temperature ⁽¹⁾	-40°C to +85°C
Supply voltage (V _{CC}) ⁽²⁾	+2.7 V to +3.3 V
Ground voltage (V _{SS}) ⁽³⁾	0 V

- 1. Case temperature.
- 2. V_{CC} = V_{CCA} = V_{CCD}.
- 3. V_{SS} = V_{SSA} = V_{SSD}.

1. Stresses above those listed may cause permanent damage to the device. Exposure to the absolute maximum ratings may affect device reliability. Functional operation is not implied at these conditions.

Table 6: DC Parameters (Packaged Parts)

Symbol	Parameters	Min ⁽²⁾	Typ ⁽¹⁾	Max ⁽²⁾	Units	Conditions
V _{IL}	Input Low Voltage			V _{CC} × 0.2	V	
V _{IH}	Input High Voltage	V _{CC} × 0.8			V	
V _{OL}	Output Low Voltage			0.4	V	I _{OL} = 10 μA
V _{OL1}	RAC, INT Output Low Voltage			0.4	V	I _{OL} = 1 mA
V _{OH}	Output High Voltage	V _{CC} - 0.4			V	I _{OH} = -10 μA
I _{CC}	V _{CC} Current (Operating) — Playback — Record		15 25	30 40	mA mA	R _{EXT} = ∞ ⁽³⁾ R _{EXT} = ∞ ⁽³⁾
I _{SB}	V _{CC} Current (Standby)		1	10	μA	⁽³⁾ ⁽⁴⁾
I _{IL}	Input Leakage Current			±1	μA	
I _{HZ}	MISO Tristate Current		1	10	μA	
R _{EXT}	Output Load Impedance	5			KΩ	
R _{ANA IN+}	ANA IN+ Input Resistance	2.2	3.0	3.8	KΩ	
R _{ANA IN-}	ANA IN- Input Resistance	40	56	71	KΩ	
A _{ARP}	ANA IN+ or ANA IN- to AUD OUT Gain		25		dB	⁽⁵⁾

1. Typical values: T_A = 25°C and 3.0 V.

2. All min/max limits are guaranteed by ISD via electrical testing or characterization. Not all specifications are 100 percent tested.

3. V_{ECA} and V_{CCD} connected together.

4. SS = V_{CCA} = V_{CCD}, XCLK = MOSI = V_{SSA} = V_{SSD} and all other pins floating.

5. Measured with AutoMute feature disabled.

Table 7: AC Parameters (Packaged Parts)

Symbol	Characteristic	Min ⁽²⁾	Typ ⁽¹⁾	Max ⁽²⁾	Units	Conditions
F _S	Sampling Frequency	ISD4003-04M	8.0		KHz	⁽⁵⁾
		ISD4003-05M	6.4		KHz	⁽⁵⁾
		ISD4003-06M	5.3		KHz	⁽⁵⁾
		ISD4003-08M	4.0		KHz	⁽⁵⁾
F _{CF}	Filter Pass Band	ISD4003-04M	3.4		KHz	3-dB Roll-Off Point ⁽³⁾ ⁽⁷⁾
		ISD4003-05M	2.7		KHz	3-dB Roll-Off Point ⁽³⁾ ⁽⁷⁾
		ISD4003-06M	2.3		KHz	3-dB Roll-Off Point ⁽³⁾ ⁽⁷⁾
		ISD4003-08M	1.7		KHz	3-dB Roll-Off Point ⁽³⁾ ⁽⁷⁾
T _{REC}	Record Duration	ISD4003-04M	4		min	⁽⁶⁾
		ISD4003-05M	5		min	⁽⁶⁾
		ISD4003-06M	6		min	⁽⁶⁾
		ISD4003-08M	8		min	⁽⁶⁾

Table 7: AC Parameters (Packaged Parts)

Symbol	Characteristic	Min ⁽²⁾	Typ ⁽¹⁾	Max ⁽²⁾	Units	Conditions
T _{PLAY}	Playback Duration	ISD4003-04M	4		min	(6)
		ISD4003-05M	5		min	(6)
		ISD4003-06M	6		min	(6)
		ISD4003-08M	8		min	(6)
T _{PUD}	Power-Up Delay	ISD4003-04M	25		msec	
		ISD4003-05M	31.25		msec	
		ISD4003-06M	37.5		msec	
		ISD4003-08M	50		msec	
T _{STOP} or T _{PAUSE}	Stop or Pause in Record or Play	ISD4003-04M	50		msec	
		ISD4003-05M	62.5		msec	
		ISD4003-06M	75		msec	
		ISD4003-08M	100		msec	
T _{RAC}	RAC Clock Period	ISD4003-04M	200		msec	(10)
		ISD4003-05M	250		msec	(10)
		ISD4003-06M	300		msec	(10)
		ISD4003-08M	400		msec	(10)
T _{RACLO}	RAC Clock Low Time	ISD4003-04M	25		msec	
		ISD4003-05M	31.25		msec	
		ISD4003-06M	37.5		msec	
		ISD4003-08M	50		msec	
T _{RACM}	RAC Clock Period in Message Cueing Mode	ISD4003-04M	125		μsec	
		ISD4003-05M	156.3		μsec	
		ISD4003-06M	187.5		μsec	
		ISD4003-08M	250		μsec	
T _{RACML}	RAC Clock Low Time in Message Cueing Mode	ISD4003-04M	15.63		μsec	
		ISD4003-05M	19.53		μsec	
		ISD4003-06M	23.44		μsec	
		ISD4003-08M	31.25		μsec	
THD	Total Harmonic Distortion		1	2	%	@ 1 KHz
V _{IN}	ANA IN Input Voltage			32	mV	Peak-to-Peak ⁽⁴⁾ (8) (9)

1. Typical values: $T_A = 25^\circ\text{C}$ and 3.0 V.
2. All min/max limits are guaranteed by ISD via electrical testing or characterization. Not all specifications are 100 percent tested.
3. Low-frequency cut off depends upon the value of external capacitors (see Pin Descriptions).
4. Single-ended input mode. In the differential input mode, V_{IN} maximum for ANA IN+ and ANA IN- is 16 mVp-p.
5. Sampling Frequency can vary as much as ± 2.25 percent over the commercial temperature, and voltage ranges, and $-6/+4$ percent over the extended temperature, industrial temperature and voltage ranges. For greater stability, an external clock can be utilized (see Pin Descriptions).
6. Playback and Record Duration can vary as much as ± 2.25 percent over the commercial temperature and voltage ranges, and $-6/+4$ percent over the extended temperature, industrial temperature and voltage ranges. For greater stability, an external clock can be utilized (see Pin Descriptions).
7. Filter specification applies to the antialiasing filter and the smoothing filter. Therefore, from input to output, expect a 6dB drop by nature of passing through both filters.
8. The typical output voltage will be approximately 570mVp-p with V_{IN} at 32mVp-p.
9. For optimal signal quality, this maximum limit is recommended.
10. When a record command is sent, $T_{RAC} = T_{RAC} + T_{RACLO}$ on the first row addressed.

Table 8: Absolute Maximum Ratings (Die)⁽¹⁾

Condition	Value
Junction temperature	150°C
Storage temperature range	-65°C to +150°C
Voltage applied to any pad	(V _{SS} - 0.3 V) to (V _{CC} + 0.3 V)
Voltage applied to any pad (Input current limited to ±20 mA)	(V _{SS} - 1.0 V) to (V _{CC} + 1.0 V)
Voltage applied to MOSI, SCLK, $\overline{\text{INT}}$, RAC and $\overline{\text{SS}}$ pins (Input current limited to ±20 mA)	(V _{SS} - 1.0 V) to 5.5V
V _{CC} - V _{SS}	-0.3 V to +7.0 V

1. Stresses above those listed may cause permanent damage to the device. Exposure to the absolute maximum ratings may affect device reliability. Functional operation is not implied at these conditions.

Table 9: Operating Conditions (Die)

Condition	Value
Commercial operating temperature range	0°C to +50°C
Supply voltage (V _{CC}) ⁽¹⁾	+2.7 V to +3.3 V
Ground voltage (V _{SS}) ⁽²⁾	0 V

1. V_{CC} = V_{CCA} = V_{CCD}
 2. V_{SS} = V_{SSA} = V_{SSD}.

Table 10: DC Parameters (Die)

Symbol	Parameters	Min ⁽²⁾	Typ ⁽¹⁾	Max ⁽²⁾	Units	Conditions
V _{IL}	Input Low Voltage			V _{CC} x 0.2	V	
V _{IH}	Input High Voltage	V _{CC} x 0.8			V	
V _{OL}	Output Low Voltage			0.4	V	I _{OL} = 10 μA
V _{OL1}	RAC, $\overline{\text{INT}}$ Output Low Voltage			0.4	V	I _{OL} = 1 mA
V _{OH}	Output High Voltage	V _{CC} - 0.4			V	I _{OH} = -10 μA
I _{CC}	V _{CC} Current (Operating) — Playback — Record		15 25	30 40	mA	R _{EXT} = ∞ ⁽³⁾ R _{EXT} = ∞ ⁽³⁾
I _{SB}	V _{CC} Current (Standby)		1	10	μA	⁽³⁾ ⁽⁴⁾
I _{IL}	Input Leakage Current			±1	μA	
I _{HZ}	MISO Tristate Current		1	10	μA	
R _{EXT}	Output Load Impedance	5			KΩ	
R _{ANA IN+}	ANA IN+ Input Resistance	2.2	3.0	3.8	KΩ	
R _{ANA IN-}	ANA IN- Input Resistance	40	56	71	KΩ	
A _{ARP}	ANA IN+ or ANA IN- to AUDOUT Gain		25		dB	⁽⁵⁾

1. Typical values: T_A = 25°C and 3.0 V.
 2. All min/max limits are guaranteed by ISD via electrical testing or characterization. Not all specifications are 100 percent tested.
 3. V_{ECA} and V_{CCD} connected together.
 4. SS = V_{CCA} = V_{CCD}, XCLK = MOSI = V_{SSA} = V_{SSD} and all other pins floating.
 5. Measured with AutoMute feature disabled.

Table 11: AC Parameters (Die)

Symbol	Characteristic	Min ⁽²⁾	Typ ⁽¹⁾	Max ⁽²⁾	Units	Conditions
F _S	Sampling Frequency	ISD4003-04M	8.0		KHz	(5)
		ISD4003-05M	6.4		KHz	(5)
		ISD4003-06M	5.3		KHz	(5)
		ISD4003-08M	4.0		KHz	(5)
F _{CF}	Filter Pass Band	ISD4003-04M	3.4		KHz	3dB Roll-Off Point ⁽³⁾ ⁽⁶⁾
		ISD4003-05M	2.7		KHz	3dB Roll-Off Point ⁽³⁾ ⁽⁶⁾
		ISD4003-06M	2.3		KHz	3dB Roll-Off Point ⁽³⁾ ⁽⁶⁾
		ISD4003-08M	1.7		KHz	3dB Roll-Off Point ⁽³⁾ ⁽⁶⁾
T _{REC}	Record Duration	ISD4003-04M	4		min	(5)
		ISD4003-05M	5		min	(5)
		ISD4003-06M	6		min	(5)
		ISD4003-08M	8		min	(5)
T _{PLAY}	Playback Duration	ISD4003-04M	4		min	(5)
		ISD4003-05M	5		min	(5)
		ISD4003-06M	6		min	(5)
		ISD4003-08M	8		min	(5)
T _{PUD}	Power-Up Delay	ISD4003-04M	25		msec	
		ISD4003-05M	31.25		msec	
		ISD4003-06M	37.5		msec	
		ISD4003-08M	50		msec	
T _{STOP} or T _{PAUSE}	Stop or Pause in Record or Play	ISD4003-04M	50		msec	
		ISD4003-05M	62.5		msec	
		ISD4003-06M	75		msec	
		ISD4003-08M	100		msec	
T _{RAC}	RAC Clock Period	ISD4003-04M	200		msec	(9)
		ISD4003-05M	250		msec	(9)
		ISD4003-06M	300		msec	(9)
		ISD4003-08M	400		msec	(9)
T _{RACLO}	RAC Clock Low Time	ISD4003-04M	25		msec	
		ISD4003-05M	31.25		msec	
		ISD4003-06M	37.5		msec	
		ISD4003-08M	50		msec	
T _{RACM}	RAC Clock Period in Message Cueing Mode	ISD4003-04M	125		μsec	
		ISD4003-05M	156.3		μsec	
		ISD4003-06M	187.5		μsec	
		ISD4003-08M	250		μsec	
T _{RACML}	RAC Clock Low Time in Message Cueing Mode	ISD4003-04M	15.63		μsec	
		ISD4003-05M	19.53		μsec	
		ISD4003-06M	23.44		μsec	
		ISD4003-08M	31.25		μsec	

Table 11: AC Parameters (Die)

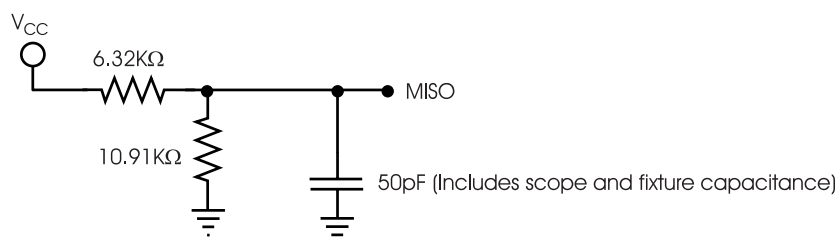
Symbol	Characteristic	Min ⁽²⁾	Typ ⁽¹⁾	Max ⁽²⁾	Units	Conditions
THD	Total Harmonic Distortion		1	2	%	@ 1 KHz
V _{IN}	ANA IN Input Voltage			32	mV	Peak-to-Peak ^{4,7,8}

1. Typical values: $T_A = 25^\circ\text{C}$ and 3.0 V.
2. All min/max limits are guaranteed by ISD via electrical testing or characterization. Not all specifications are 100 percent tested.
3. Low-frequency cut off depends upon the value of external capacitors (see Pin Descriptions).
4. Single-ended input mode. In the differential input mode, V_{IN} maximum for ANA IN+ and ANA IN- is 16 mV peak-to-peak.
5. Sampling Frequency and Duration can vary as much as ± 2.25 percent over the commercial temperature and voltage ranges. For greater stability, an external clock can be utilized (see Pin Descriptions).
6. Filter specification applies to the antialiasing filter and to the smoothing filter.
7. The typical output voltage will be approximately 570 mV peak-to-peak with V_{IN} at 32 mV peak-to-peak.
8. For optimal signal quality, this maximum limit is recommended.
9. When a record command is sent, $T_{RAC} = T_{RAC} + T_{RACLO}$ on the first row addressed.

Table 12: SPI AC Parameters¹

Symbol	Characteristics	Min	Max	Units	Conditions
T _{SSS}	\overline{SS} Setup Time	500		nsec	
T _{SSH}	\overline{SS} Hold Time	500		nsec	
T _{DIS}	Data in Setup Time	200		nsec	
T _{DIH}	Data in Hold Time	200		nsec	
T _{PD}	Output Delay		500	nsec	
T _{DF} ⁽²⁾	Output Delay to hiZ		500	nsec	
T _{SSmin}	\overline{SS} HIGH	1		μsec	
T _{SCKhi}	SCLK High Time	400		nsec	
T _{SCKlow}	SCLK Low Time	400		nsec	
F ₀	CLK Frequency		1,000	KHz	

1. Typical values: $T_A = 25^\circ\text{C}$ and 3.0 V. Timing measured at 50 percent of the V_{CC} level.
2. Tristate test condition.



TIMING DIAGRAMS

Figure 6: Timing Diagram

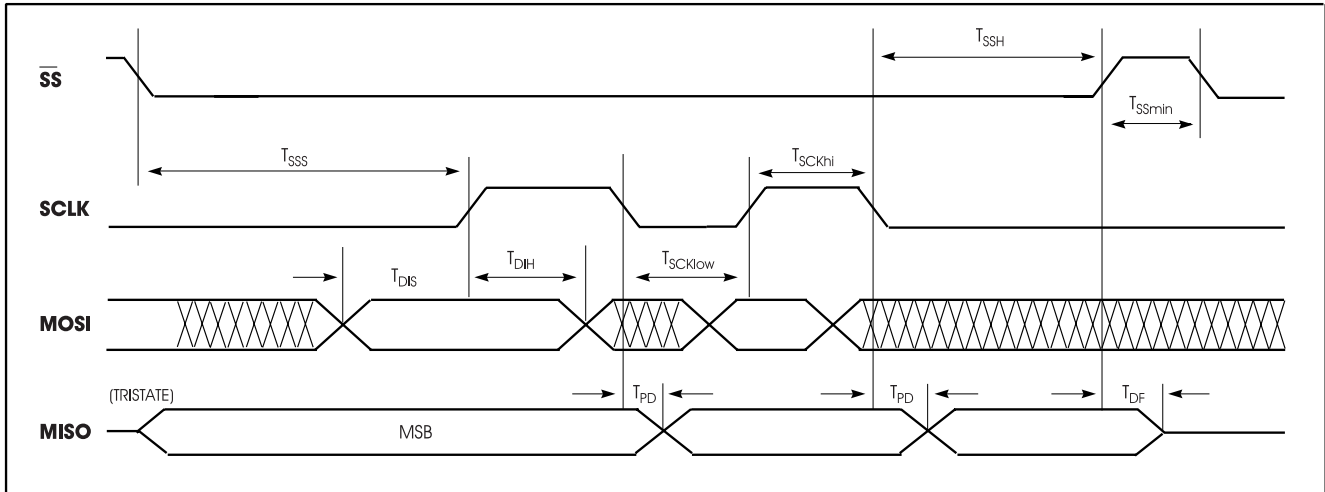


Figure 7: 8-Bit Command Format

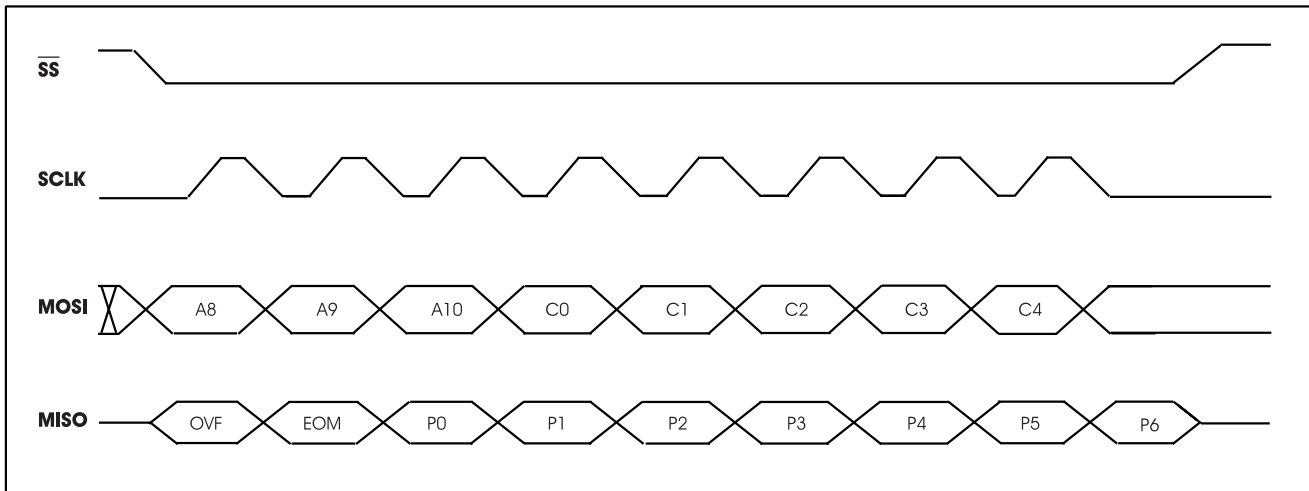


Figure 8: 16-Bit Command Format

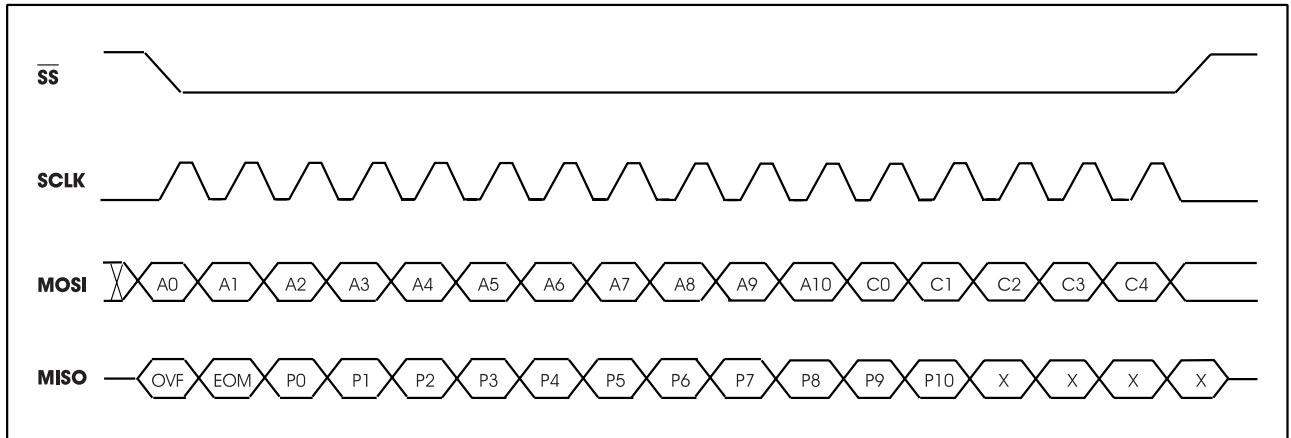


Figure 9: Playback/Record and Stop Cycle

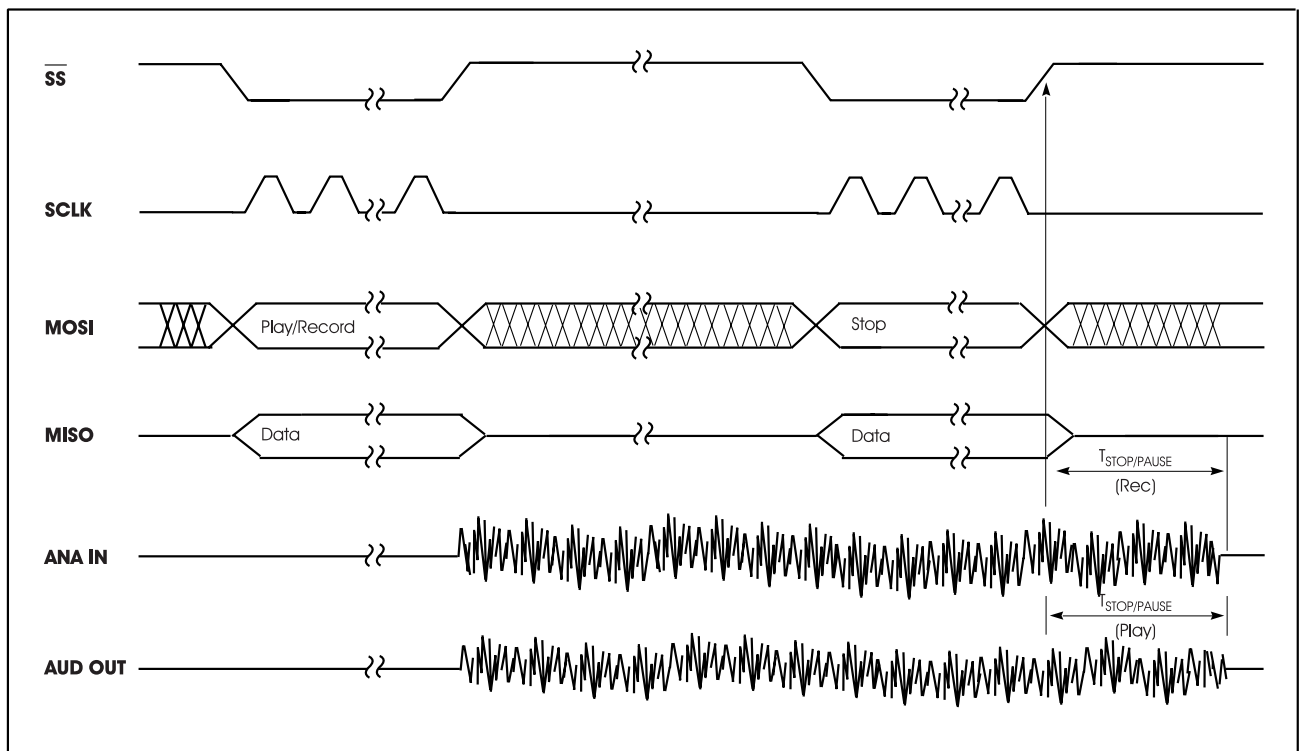
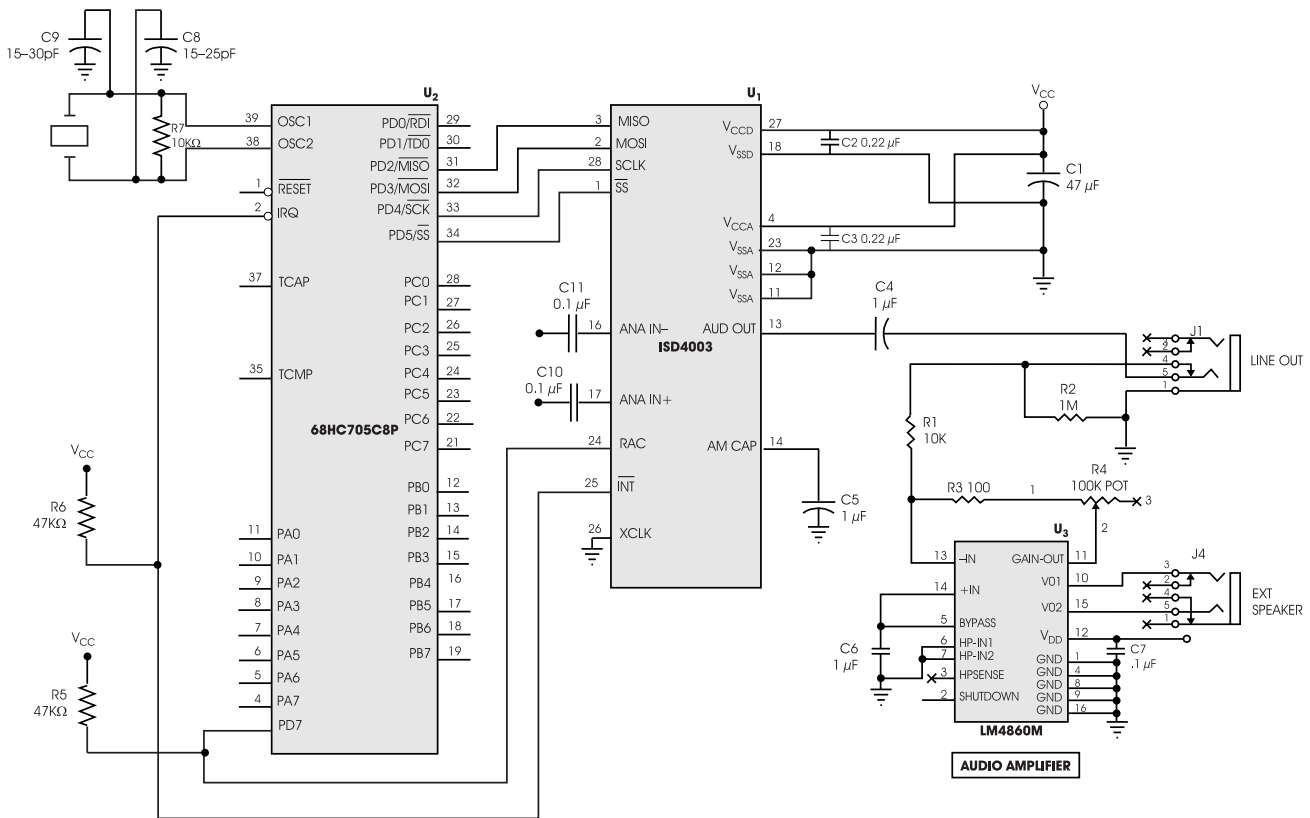
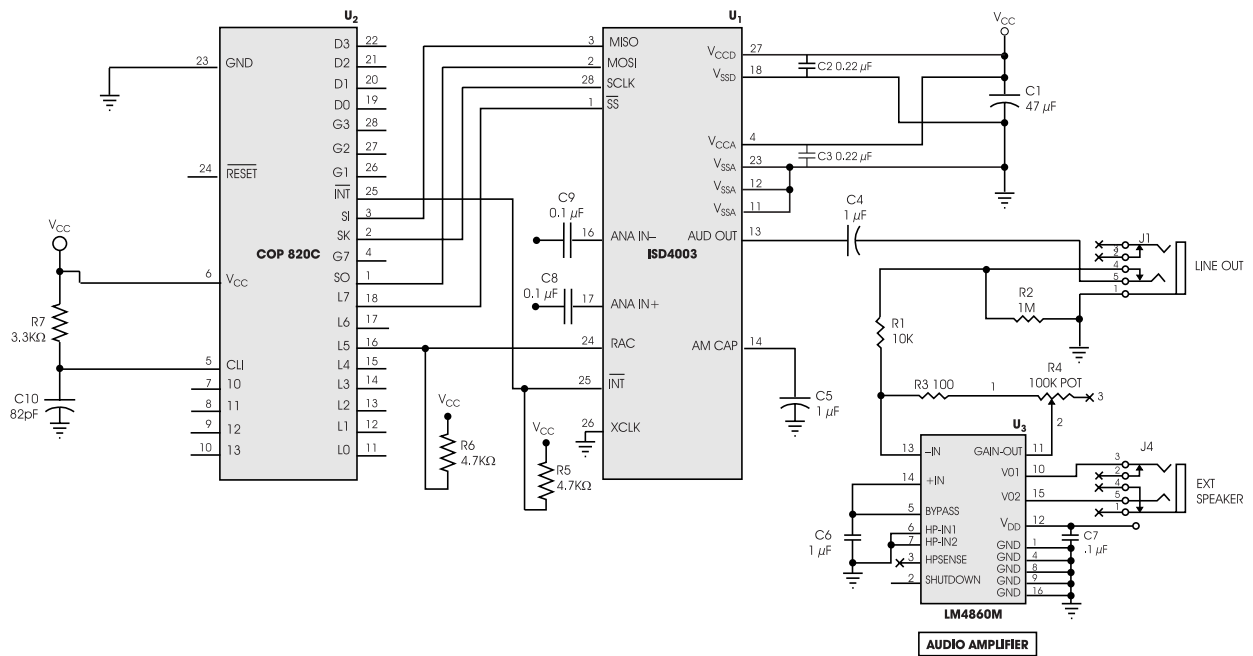


Figure 10: Application Example Using SPI⁽¹⁾



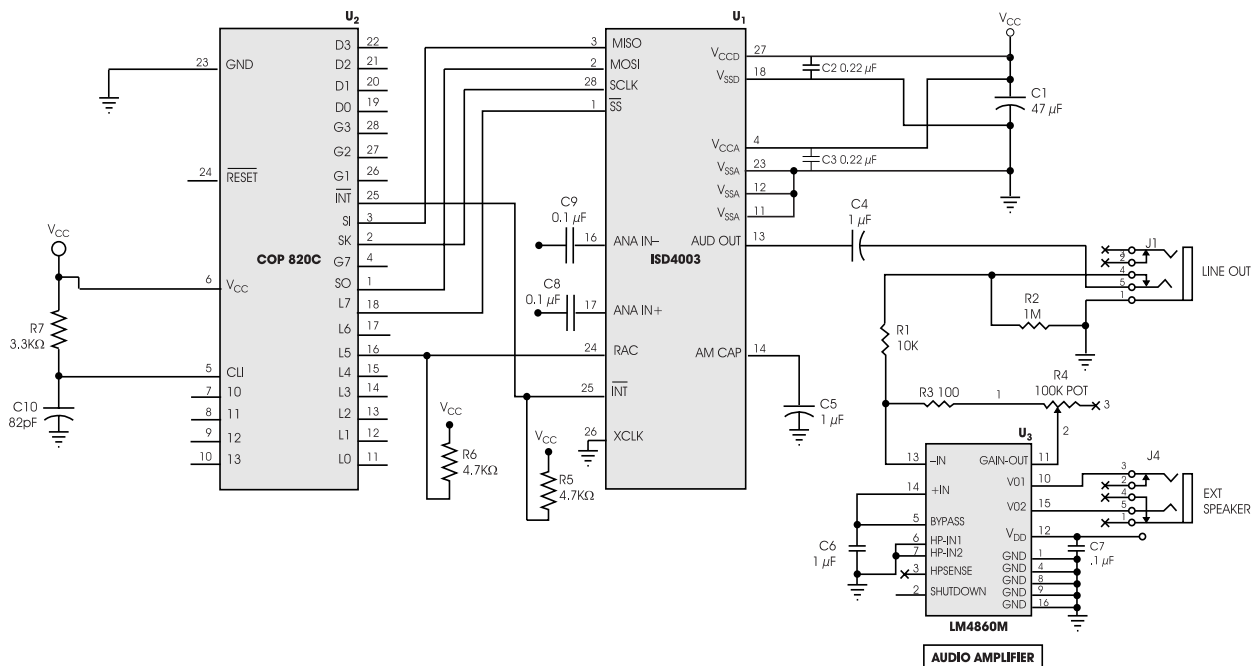
1. This application example is for illustration purposes only. ISD makes no representation or warranty that such application will be suitable for production.
2. Please make sure the bypass capacitor, C2 is as close as possible to the package.

Figure 11: Application Example Using Microwire⁽¹⁾



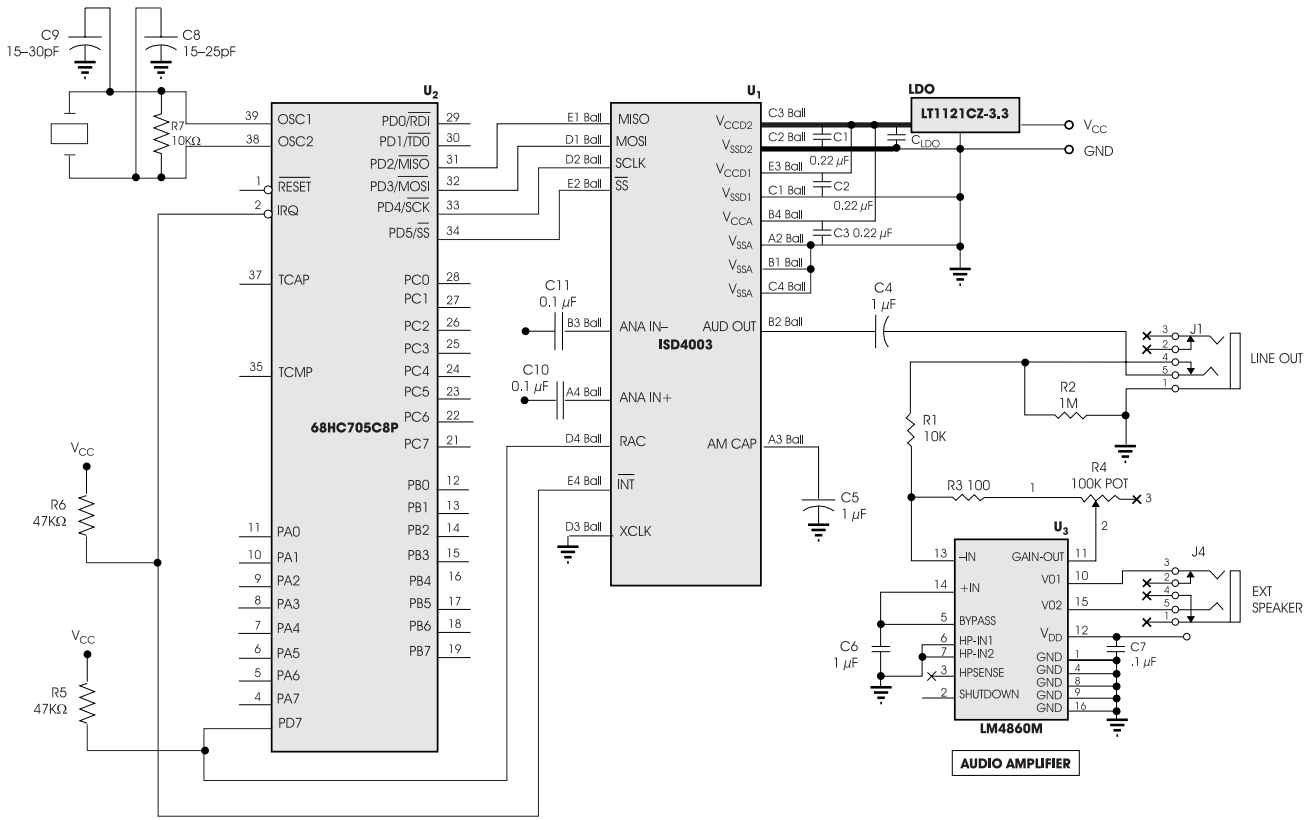
1. This application example is for illustration purposes only. ISD makes no representation or warranty that such application will be suitable for production.
2. Please make sure the bypass capacitor, C2 is as close as possible to the package.

Figure 12: Application Example Using SPI Port on Microcontroller⁽¹⁾



1. This application example is for illustration purposes only. ISD makes no representation or warranty that such application will be suitable for production.
2. Please make sure the bypass capacitor, C2 is as close as possible to the package.

Figure 13: Application Example Using SPI with a Chip Scale Packaged Device



1. This application example is for illustration purposes only. ISD makes no representation or warranty that such application will be suitable for production.
2. Please make sure all bypass capacitors are as close as possible to the package.
3. Ground plane must be used to connect all V_{SSA} pins together. If a ground plane is not available then a short and low impedance path is necessary.
4. Route ANA IN+ and ANA IN- away from V_{CCD} and V_{SSD} return paths.
5. Biasing for electret microphone must come from V_{CCA} and V_{SSA}.
6. AMCAP must return to V_{SSA}.
7. Traces from V_{CCD2} to the LDO (Low Dropout regulator) and from V_{SSD2} to the LDO ground should be as thick as possible. The distance between these two traces should be as short as possible.

DEVICE PHYSICAL DIMENSIONS

Figure 14: 28-Lead 8x13.4 mm Plastic Thin Small Outline Package (TSOP) Type I (E)

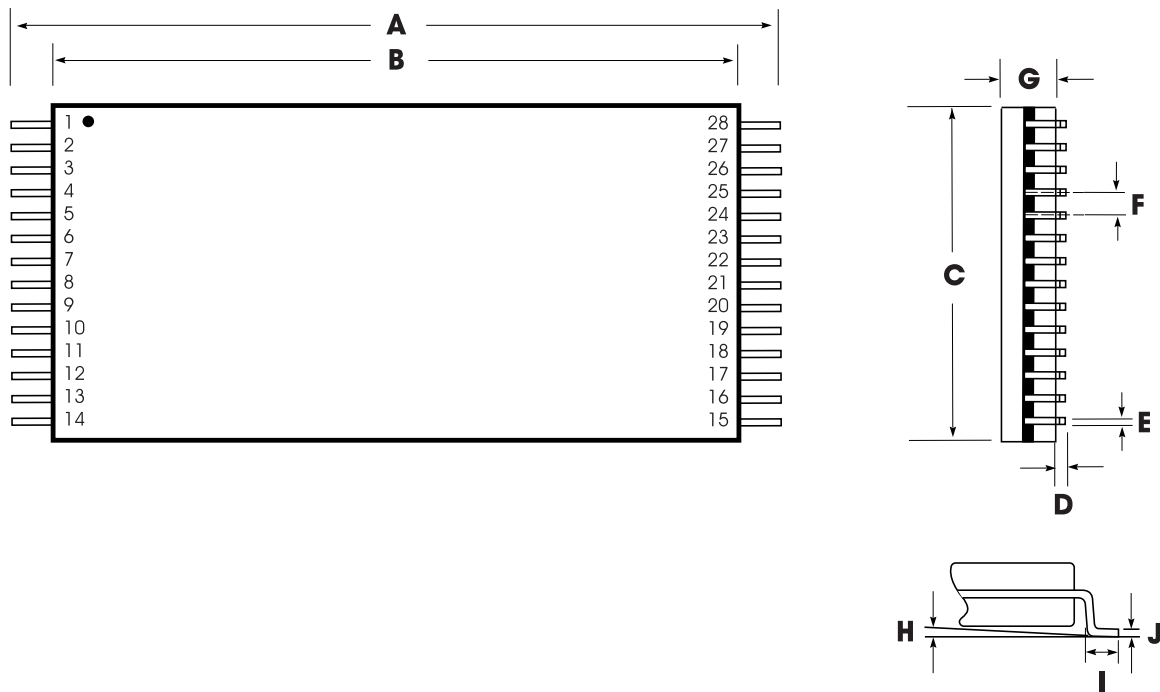


Table 13: Plastic Thin Small Outline Package (TSOP) Type I (E) Dimensions

	INCHES			MILLIMETERS		
	Min	Nom	Max	Min	Nom	Max
A	0.520	0.528	0.535	13.20	13.40	13.60
B	0.461	0.465	0.469	11.70	11.80	11.90
C	0.311	0.315	0.319	7.90	8.00	8.10
D	0.002		0.006	0.05		0.15
E	0.007	0.009	0.011	0.17	0.22	0.27
F		0.0217			0.55	
G	0.037	0.039	0.041	0.95	1.00	1.05
H	0°	3°	6°	0°	3°	6°
I	0.020	0.022	0.028	0.50	0.55	0.70
J	0.004		0.008	0.10		0.21

NOTE: Lead coplanarity to be within 0.004 inches.

Figure 15: 28-Lead 0.600-Inch Plastic Dual Inline Package (PDIP) (P)

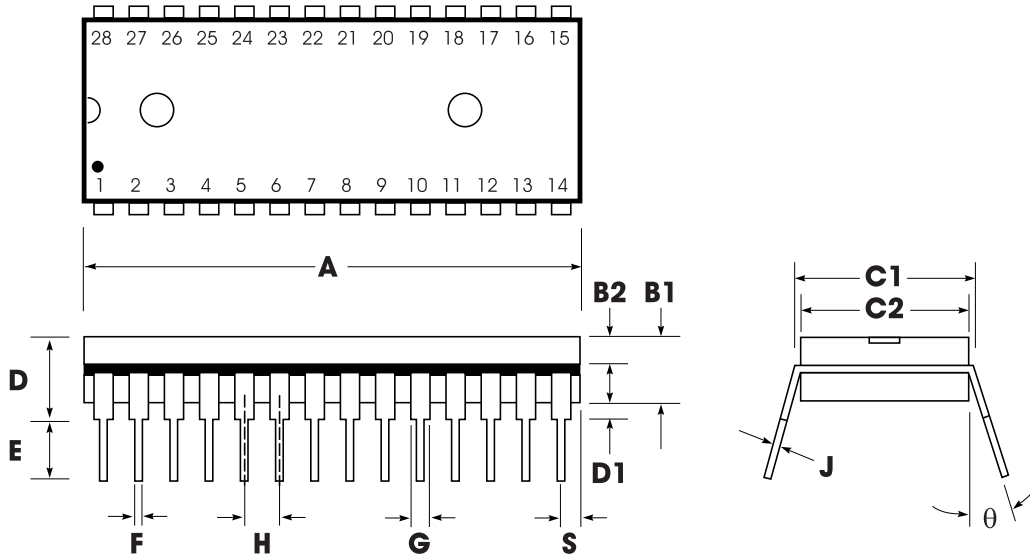


Table 14: Plastic Dual Inline Package (PDIP) (P) Dimensions

	INCHES			MILLIMETERS		
	Min	Nom	Max	Min	Nom	Max
A	1.445	1.450	1.455	36.70	36.83	36.96
B1		0.150			3.81	
B2	0.065	0.070	0.075	1.65	1.78	1.91
C1	0.600		0.625	15.24		15.88
C2	0.530	0.540	0.550	13.46	13.72	13.97
D			0.19			4.83
D1	0.015			0.38		
E	0.125		0.135	3.18		3.43
F	0.015	0.018	0.022	0.38	0.46	0.56
G	0.055	0.060	0.065	1.40	1.52	1.65
H		0.100			2.54	
J	0.008	0.010	0.012	0.20	0.25	0.30
S	0.070	0.075	0.080	1.78	1.91	2.03
q	0°		15°	0°		15°

Figure 16: 28-Lead 0.300-Inch Plastic Small Outline Integrated Circuit (SOIC) (S)

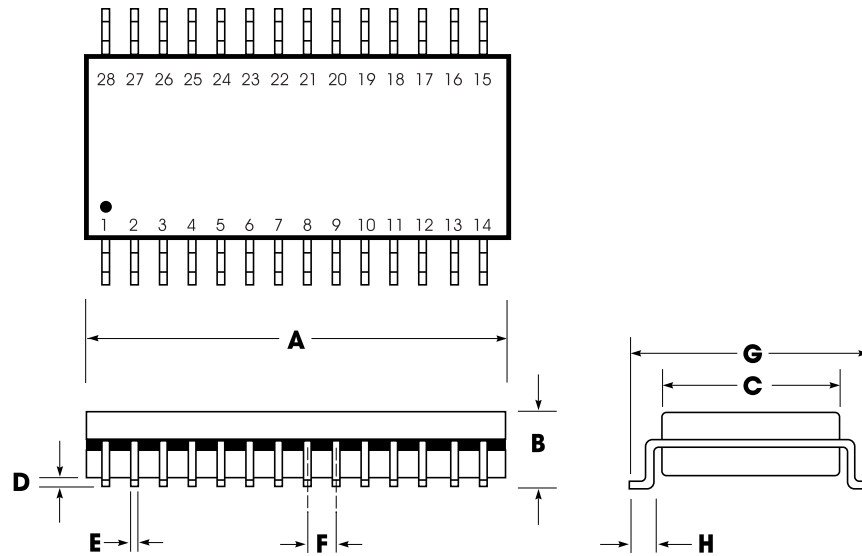


Table 15: Plastic Small Outline Integrated Circuit (SOIC) (S) Dimensions

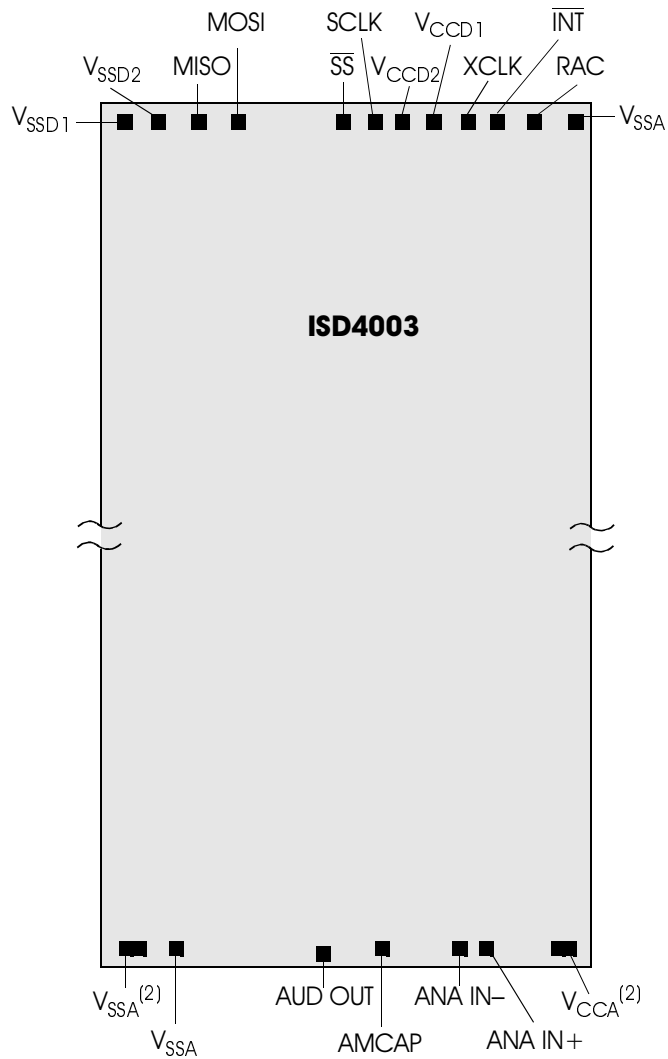
	INCHES			MILLIMETERS		
	Min	Nom	Max	Min	Nom	Max
A	0.701	0.706	0.711	17.81	17.93	18.06
B	0.097	0.101	0.104	2.46	2.56	2.64
C	0.292	0.296	0.299	7.42	7.52	7.59
D	0.005	0.009	0.0115	0.127	0.22	0.29
E	0.014	0.016	0.019	0.35	0.41	0.48
F		0.050			1.27	
G	0.400	0.406	0.410	10.16	10.31	10.41
H	0.024	0.032	0.040	0.61	0.81	1.02

NOTE: Lead coplanarity to be within 0.004 inches.

Figure 17: ISD4003 Series Bonding Physical Layout¹ (Unpackaged Die)

ISD4003 Series

- I. Die Dimensions
X: 166.6 ± 1 mils
Y: 274.9 ± 1 mils
- II. Die Thickness
11.5 ± 0.5 mils
- III. Pad Opening (min)
90 x 90 microns
3.5 x 3.5 mils



1. The backside of die is internally connected to V_{SS}. It **MUST NOT** be connected to any other potential or damage may occur.
2. Double bond recommended.
3. This figure reflects the current die thickness. Please contact ISD as this thickness may change in the future.

**Table 16: ISD4003 Series Device Pin/Pad Designations,
with Respect to Die Center (μm)**

Pin	Pin Name	X Axis	Y Axis
V _{SSA}	V _{SS} Analog Power Supply	-1898.1	-3272.4
V _{SSA}	V _{SS} Analog Power Supply	-1599.9	-3272.4
AUD OUT	Audio Output	281.9	-3272.4
AMCAP	AutoMute	577.3	-3272.4
ANA IN -	Inverting Analog Input	1449.3	-3272.4
ANA IN +	Noninverting Analog Input	1603.5	-3272.4
V _{CCA} ⁽¹⁾	V _{CC} Analog Power Supply	1898.7	-3272.4
V _{SSA}	V _{SS} Analog Power Supply	1885.2	3273.7
RAC	Row Address Clock	1483.8	3273.7
INT	Interrupt	794.8	3273.7
XCLK	External Clock Input	564.8	3273.7
V _{CCD2}	V _{CC} Digital Power Supply	384.9	3273.7
V _{CCD1}	V _{CC} Digital Power Supply	169.5	3273.7
SCLK	Slave Clock	-14.7	3273.7
SS	Slave Select	-198.1	3273.7
MOSI	Master Out Slave In	-1063.7	3273.7
MISO	Master In Slave Out	-1325.6	3273.7
V _{SSD1}	V _{SS} Digital Power Supply	-1665.3	3273.7
V _{SSD2}	V _{SS} Digital Power Supply	-1836.9	3273.7

1. Double bond recommended.

Figure 18: ISD4003 Chip Scale Package (CSP) (Z)

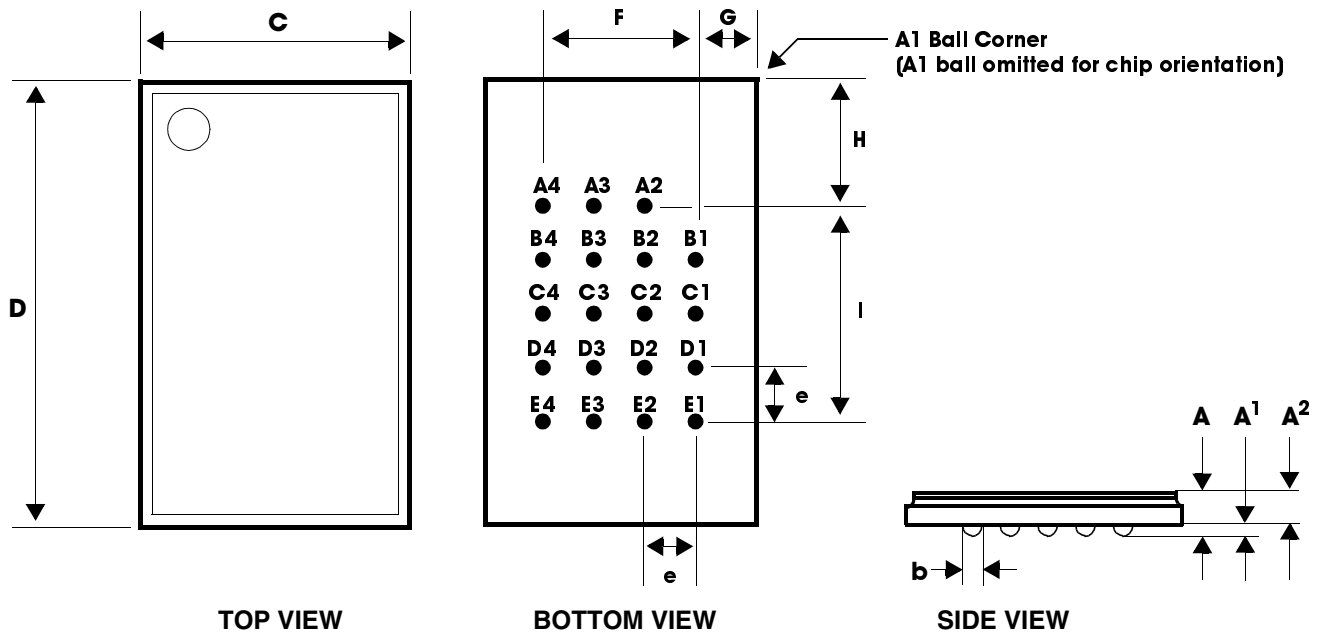


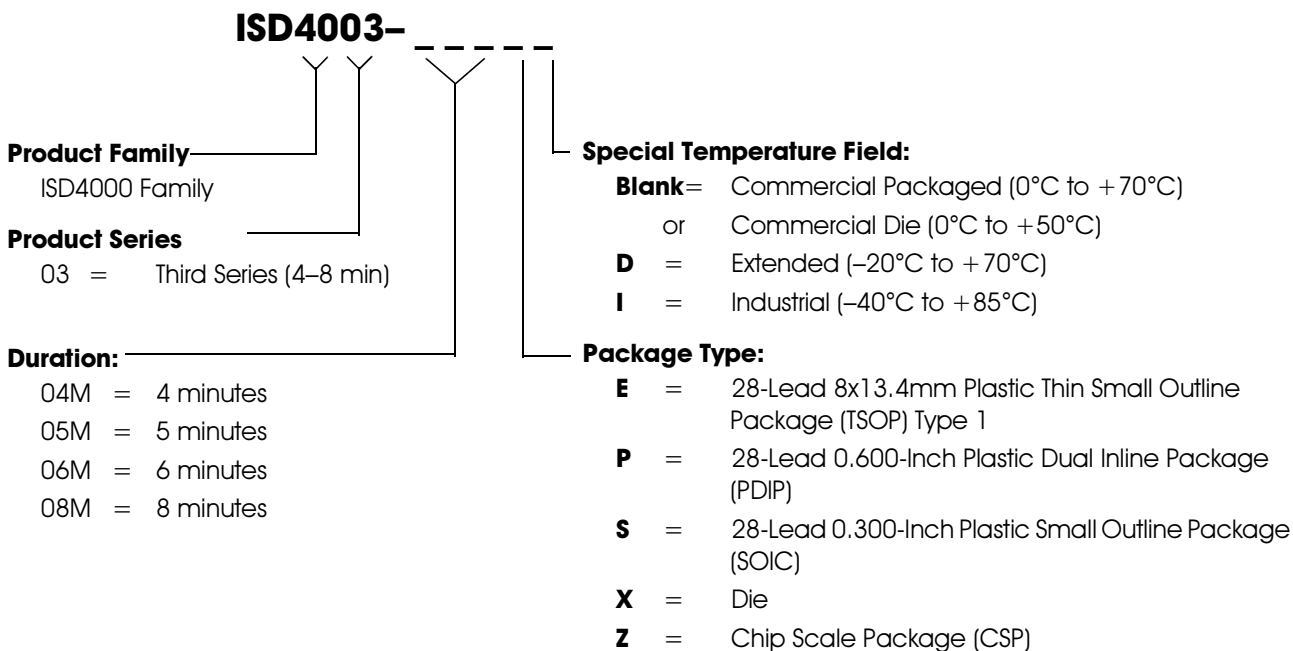
Table 17: CSP Dimensions

Symbol	Min.	Nom.	Max.
A	—	—	0.85
A ¹	0.15	—	—
A ²	—	0.55	—
b	0.30	0.35	0.40
C	—	4.70	—
D	—	7.45	—
e	—	0.75	—
F	—	2.25	—
G	—	1.22	—
H	—	2.22	—
I	—	3.00	—

Name	Ball Location	TSOP Pin #
V _{SSA}	A2	18
AMCAP	A3	22
ANAIN+	A4	25
V _{SSA}	B1	17
AUDOUT	B2	20
ANAIN-	B3	24
V _{CCA}	B4	26
V _{SSD1}	C1	12
V _{SSD2}	C2	N/A
V _{CCD2}	C3	N/A
V _{SSA}	C4	1
MOSI	D1	10
SCLK	D2	8
XCLK	D3	6
RAC	D4	2
MISO	E1	11
SS	E2	9
V _{CCD1}	E3	7
INT	E4	5

ORDERING INFORMATION

Product Number Descriptor Key



When ordering ISD4003 series devices, please refer to the following valid part numbers.

Part Number	Part Number	Part Number	Part Number
ISD4003-04ME	ISD4003-05ME	ISD4003-06ME	ISD4003-08ME
ISD4003-04MED	ISD4003-05MED	ISD4003-06MED	ISD4003-08MED
ISD4003-04MEI	ISD4003-05MEI	ISD4003-06MEI	ISD4003-08MEI
ISD4003-04MP	ISD4003-05MP	ISD4003-06MP	ISD4003-08MP
ISD4003-04MS	ISD4003-05MS	ISD4003-06MS	ISD4003-08MS
ISD4003-04MSI	ISD4003-05MSI	ISD4003-06MSI	ISD4003-08MSI
ISD4003-04MX	ISD4003-05MX	ISD4003-06MX	ISD4003-08MX
ISD4003-04MZ	ISD4003-05MZ	ISD4003-06MZ	ISD4003-08MZ
ISD4003-04MZD	ISD4003-05MZD	ISD4003-06MZD	ISD4003-08MZD
ISD4003-04MZI	ISD4003-05MZI	ISD4003-06MZI	ISD4003-08MZI

For the latest product information, access ISD's worldwide website at <http://www.isd.com>.

IMPORTANT NOTICES

The warranty for each product of ISD (Information Storage Devices, Inc.), is contained in a written warranty which governs sale and use of such product. Such warranty is contained in the printed terms and conditions under which such product is sold, or in a separate written warranty supplied with the product. Please refer to such written warranty with respect to its applicability to certain applications of such product.

These products may be subject to restrictions on use. Please contact ISD, for a list of the current additional restrictions on these products. By purchasing these products, the purchaser of these products agrees to comply with such use restrictions. Please contact ISD for clarification of any restrictions described herein.

ISD, reserves the right, without further notice, to change the ISD ChipCorder product specifications and/or information in this document and to improve reliability, functions and design.

ISD assumes no responsibility or liability for any use of the ISD ChipCorder products. ISD conveys no license or title, either expressed or implied, under any patent, copyright, or mask work right to the ISD ChipCorder products, and ISD makes no warranties or representations that the ISD ChipCorder products are free from patent, copyright, or mask work right infringement, unless otherwise specified.

Application examples and alternative uses of any integrated circuit contained in this publication are for illustration purposes only and ISD makes no representation or warranty that such applications shall be suitable for the use specified.

The 100-year retention and 100K record cycle projections are based upon accelerated reliability tests, as published in the ISD Reliability Report, and are neither warranted nor guaranteed by ISD.

Information contained in this ISD ChipCorder data sheet supersedes all data for the ISD ChipCorder products published by ISD prior to September, 1998.

This data sheet and any future addendum to this data sheet is (are) the complete and controlling ISD ChipCorder product specifications. In the event any inconsistencies exist between the information in this and other product documentation, or in the event that other product documentation contains information in addition to the information in this, the information contained herein supersedes and governs such other information in its entirety.

Copyright© 1998, ISD (Information Storage Devices, Inc.) All rights reserved. ISD is a registered trademark of ISD. ChipCorder is a trademark of ISD. All other trademarks are properties of their respective owners.



A Winbond Company

2727 North First Street
San Jose, California 95134
Tel: 408/943-6666
Fax: 408/544-1787

Part No. 2200998D4003
